



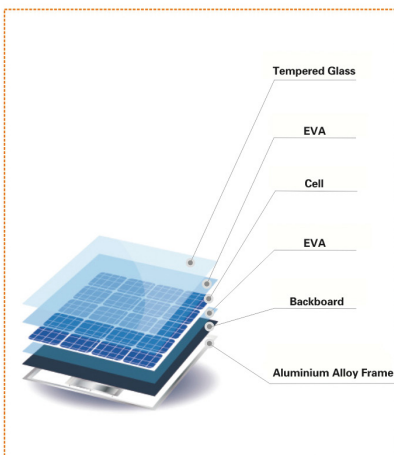
Electrical Performance Parameter

Max.Power(Pmax)	80
Opt.Operating Voltage(Vmp)	18.1
Opt.Operating Current(Imp)	4.42
Open Circuit Voltage(Voc)	22.2
Short Circuit Current(Isc)	4.71
Module Efficiency (%)	14.9

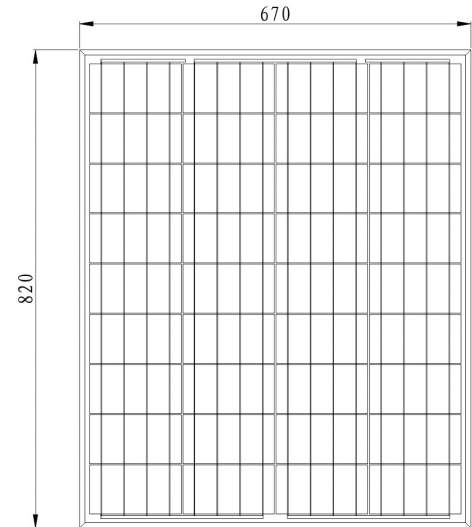
Specification

Module Type FS-80P-Hc

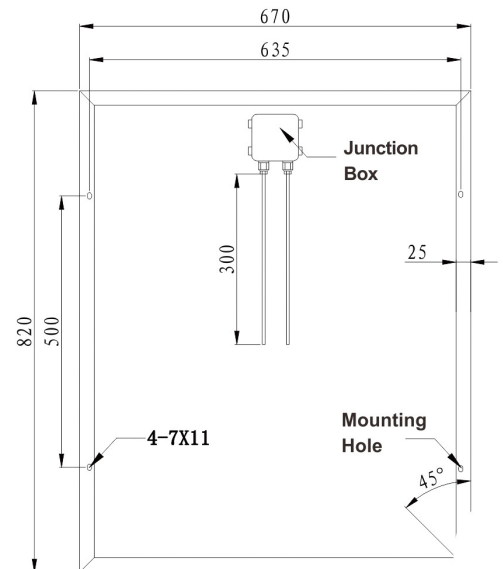
Cell Type	Polycrystalline
Module Dimensions (mm)	820*670*30
Cable Length(mm)	900
Connector	None/MC4
Weight (kg)	6.01



Front View



Back View



- Efficient light energy conversion rate
- Customized Service
- Green Energy
- Performance Warranty 25 years
- Hail test(Hail Diameter/impact velocity)
:25mm/23m/s